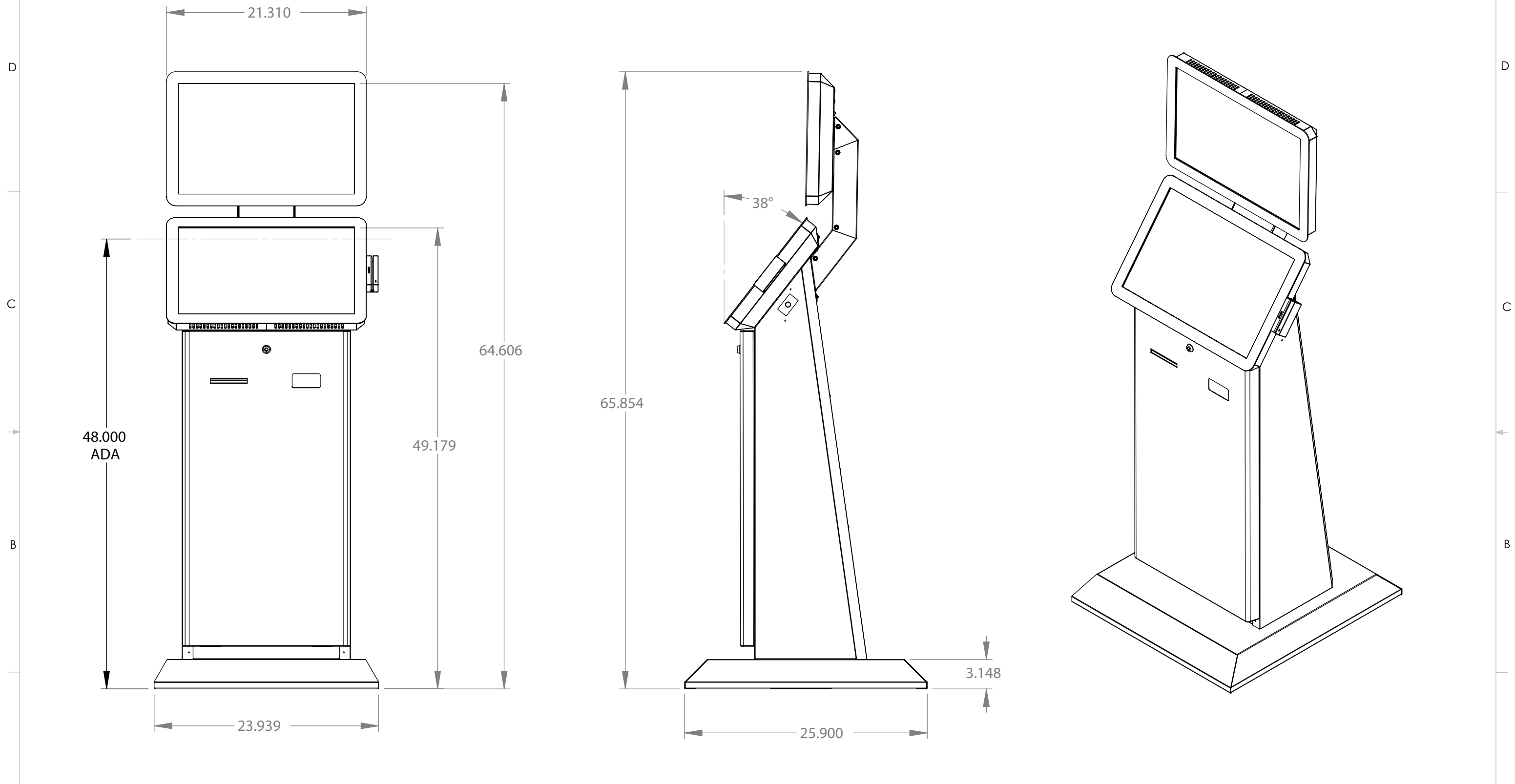


REVISIONS				
ZONE	REV.	DESCRIPTION	DATE	APPROVED
	A	RELEASED FOR PRODUCTION	/2015	



NOTES: UNLESS OTHERWISE SPECIFIED.

<p>USE LATEST SOLIDWORKS FILE FOR ALL GEOMETRY DIMENSIONS ON DRAWING ARE REFERENCE ONLY</p>		<p>UNLESS OTHERWISE SPECIFIED DIMENSIONS ARE IN INCHES TOLERANCES ARE:</p>		<p>CAD GENERATED DRAWING MAKE ONLY FROM DATA FILE DO NOT MANUALLY UPDATE</p>													
<p>THE INFORMATION CONTAINED IN THIS DRAWING IS THE SOLE PROPERTY OF ATRIENT INC. ANY REPRODUCTION IN PART OR WHOLE WITHOUT THE WRITTEN PERMISSION OF ATRIENT INC. IS PROHIBITED.</p>		<p>FRACTIONS DECIMALS ANGLES ± .06 .XX ± .03 ± 1° .XXX ± .010</p>		<table border="1"> <tr> <th>APPROVALS</th> <th>DATE</th> </tr> <tr> <td>DESIGNER</td> <td>5/19/2015</td> </tr> <tr> <td>DRAWN</td> <td>5/19/2015</td> </tr> <tr> <td>RESP ENG</td> <td></td> </tr> <tr> <td>MFG ENG</td> <td></td> </tr> <tr> <td>QUAL ENG</td> <td></td> </tr> </table>		APPROVALS	DATE	DESIGNER	5/19/2015	DRAWN	5/19/2015	RESP ENG		MFG ENG		QUAL ENG	
APPROVALS	DATE																
DESIGNER	5/19/2015																
DRAWN	5/19/2015																
RESP ENG																	
MFG ENG																	
QUAL ENG																	
<table border="1"> <tr> <th>NEXT ASSY</th> <th>USED ON</th> </tr> <tr> <td></td> <td></td> </tr> <tr> <th colspan="2">APPLICATION</th> </tr> <tr> <td></td> <td></td> </tr> </table>		NEXT ASSY	USED ON			APPLICATION				<p>MATERIAL</p>		<p>SIZE DWG. NO. REV. B ATR03-90001-00 A</p>					
NEXT ASSY	USED ON																
APPLICATION																	
<p>DO NOT SCALE DRAWING</p>		<p>SCALE: 1:10 WEIGHT: LB</p>		<p>SHEET 1 OF 2</p>													

Atrient.
www.atrient.com

KIOSK-ATRIENT PROMOTIONAL

SCALE: 1:10 WEIGHT: LB

SURFACE AREA: