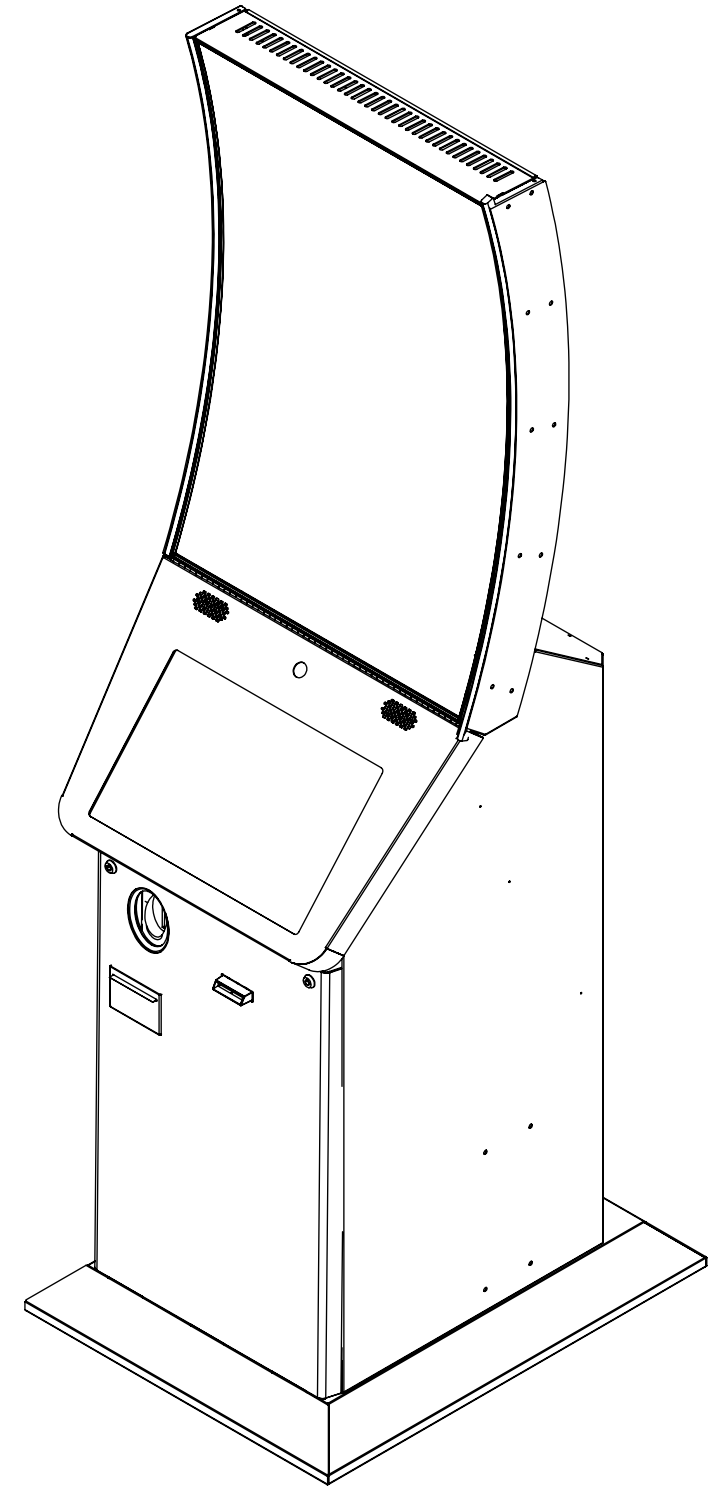
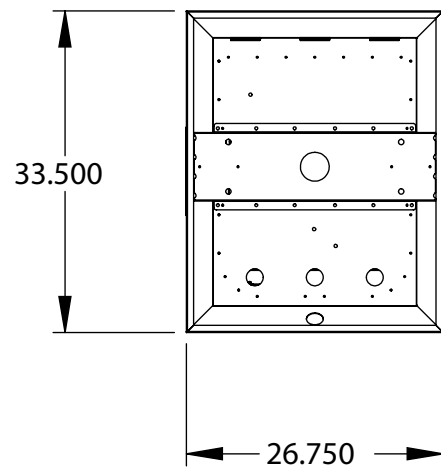
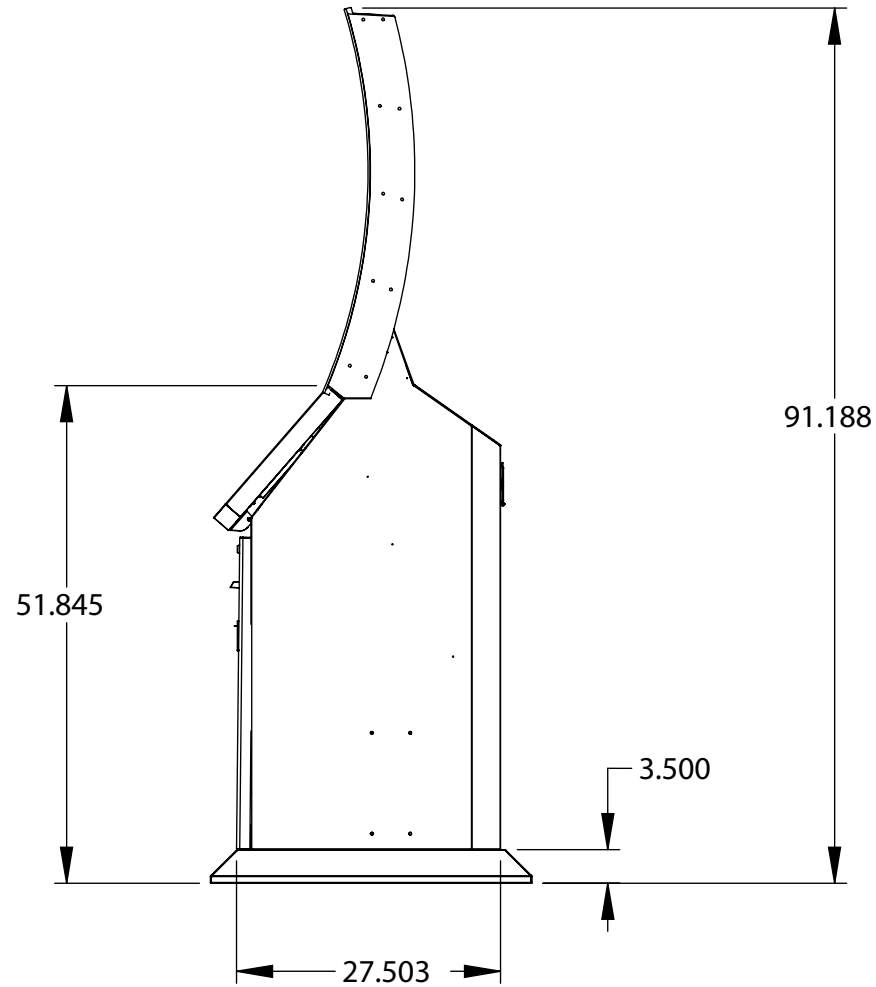
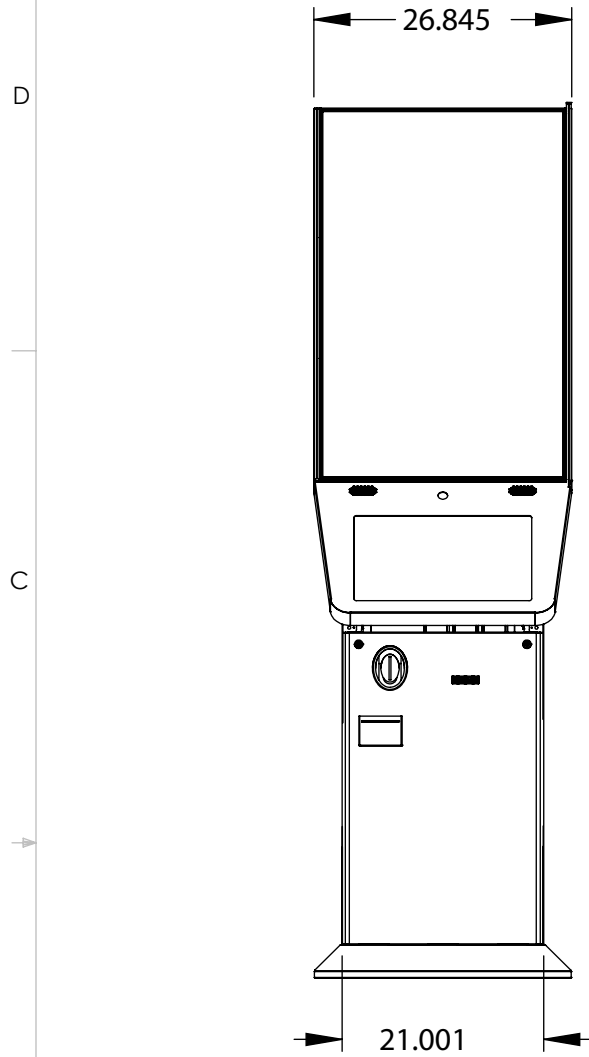


REVISIONS				
ZONE	REV.	DESCRIPTION	DATE	APPROVED
	A	RELEASED FOR PRODUCTION	2/4/2015	S.C.



USE LATEST SOLIDWORKS FILE FOR ALL GEOMETRY DIMENSIONS ON DRAWING ARE REFERENCE ONLY

THE INFORMATION CONTAINED IN THIS DRAWING IS THE SOLE PROPERTY OF ATRIENT INC. ANY REPRODUCTION IN PART OR WHOLE WITHOUT THE WRITTEN PERMISSION OF ATRIENT INC. IS PROHIBITED.

NEXT ASSY	USED ON
APPLICATION	

UNLESS OTHERWISE SPECIFIED DIMENSIONS ARE IN INCHES TOLERANCES ARE:

FRACTIONS DECIMALS ANGLES  
 $\pm .06$   $.XX \pm .03$   $\pm 1^\circ$   
 $.XXX \pm .010$

MATERIAL  
 FINISH  
 DO NOT SCALE DRAWING

CAD GENERATED DRAWING MAKE ONLY FROM DATA FILE DO NOT MANUALLY UPDATE

APPROVALS	DATE
DESIGNER	1/20/2015
DRAWN	2/3/2015
RESP ENG	
MFG ENG	
QUAL ENG	

**Atrient.**  
www.atrient.com

**KIOSK-ATR ENROLLMENT**

SIZE	DWG. NO.	REV.
B	ATR02-90001-00	A
SCALE: 1:12	WEIGHT: LB	SHEET 1 OF 1

SURFACE AREA: